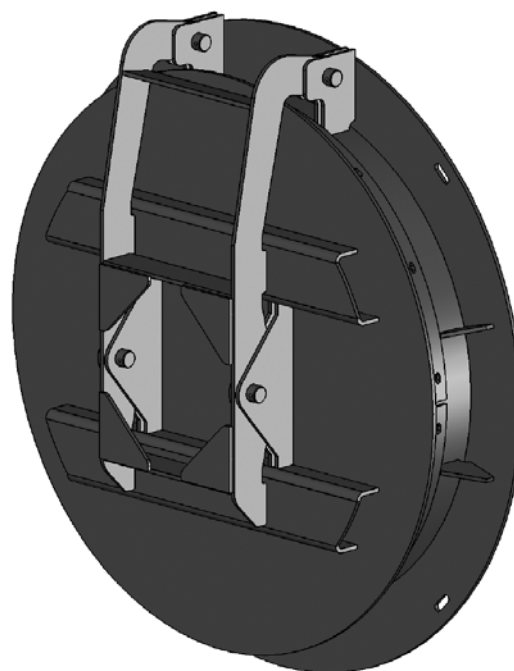
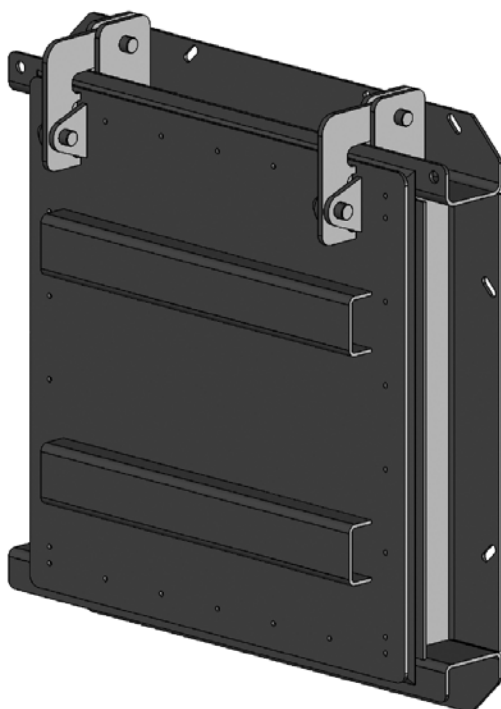


MODEL**RC/RR****FLAP GATE**

This range of flap valves have a square or round aperture with a single door, designed for wall mounting. They are used to prevent backing-up of water into discharge lines. A double jointed hinge arrangement is used to ensure perfect seating and optimum sealing performance.

ORBINOX penstocks fulfill the requirements of Directive 94/9/CE (ATEX), Group II Category 2 (Zone 1).

SIZES: From 200 up to 1400 (as standard). Alternative sizes available on request.

**CONSTRUCTION MATERIALS**

Standard materials of construction:

1.- Frame:	Stainless Steel AISI 304, AISI 316 or Carbon Steel
2.- Gate:	Stainless Steel AISI 304, AISI 316 or Carbon Steel
3.- Seals:	EPDM
4.- Hinge pins:	Stainless steel AISI 304 or AISI 316

SERVICE CONDITIONS

Design seating heads (standard version): 5 m.w.c. We are able to provide a customer design service for greater seating heads, on application.

Alternative alloy materials, like AISI 904L or DUPLEX stainless steel, are available if required.



ORBINOX S.A. reserves the right to change specifications without notice.

OBX 04/08 1. EDICION
RC/RR-1

ORBINOX S.A. Pol. Ind. s/n - 20270 ANOETA - Tel.: +34 943 698030 - Fax: +34 943 653066 - e-mail: orbinox@orbinox.com
ORBINOX CANADA, ORBINOX USA, ORBINOX COMERCIAL, ORBINOX UK, ORBINOX FRANCE, ORBINOX GERMANY, ORBINOX INDIA, ORBINOX CHINA

www.orbinox.com

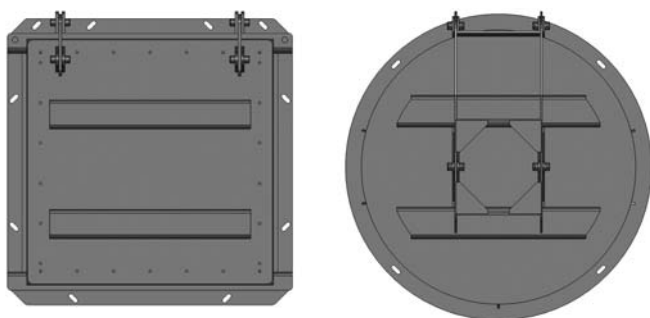
MODEL

RC/RR



DESIGN FEATURES

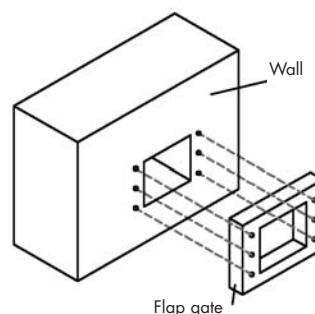
- The double jointed hinge design ensures perfect seating, for optimum sealing performance.
- Standard wall mounting design.
- The gates weight balance is designed to provide a good sealing performance in equilibrium conditions, while still remaining sensitive to opening against low unseating heads.
- The lip type resilient seals allows good shut-off performance with low on-seat water heads.
- The gate begins to open with unseating heads as low as 5-30 cms., depending on the size. As soon as the water head on both sides are in equilibrium, the gate closes immediately.



INSTALLATION INSTRUCTIONS

1. Wall mounting

- Place the frame against the wall making sure the orifices on both the wall and the frame are perfectly aligned.
- Drill the concrete using the holes on the frame as a guide.
- Introduce the anchor bolts with a hammer.
- In order to avoid leakage between frame and the wall, separate the frame from the wall and fill the void between them with SIKAFLEX 11 FC or similar.
- Place the penstock back on the wall and tighten the fasteners of the anchor bolts. Be very careful not bending the frame.

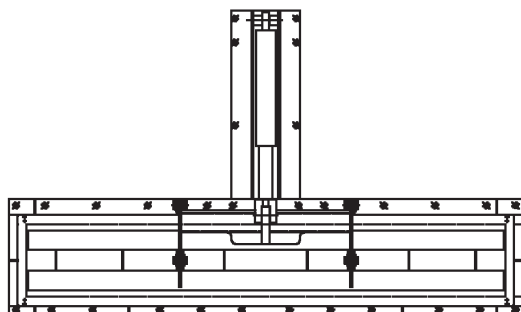


SPECIAL DESIGNS

Specific designs with actuators are used on certain applications. That is the case of the storm tank cleaning flap gates.

This equipment is designed to open rapidly, to effectively flush the bottom of the storm tanks.

A hydraulic actuation system is used to fully open the gate in minimum time, typically within 2-3 seconds. This rapid action generates a wave with very strong sweeping power.



WARNING!!

If the wall is not level, tightening the fasteners fully may bend the frame. Use of a spirit level or flat ruler is recommended, whilst installing, to control the level of the frame. If you notice the frame is beginning to bend, stop tightening. Fill the void between the wall and metal frame with expansive mortar, allow necessary time to dry. Once satisfied, resume retighten all fasteners. Malfunctioning of a penstock due to incorrect installation is not the responsibility of ORBINOX.

MAINTENANCE INSTRUCTIONS

1. Seal replacement

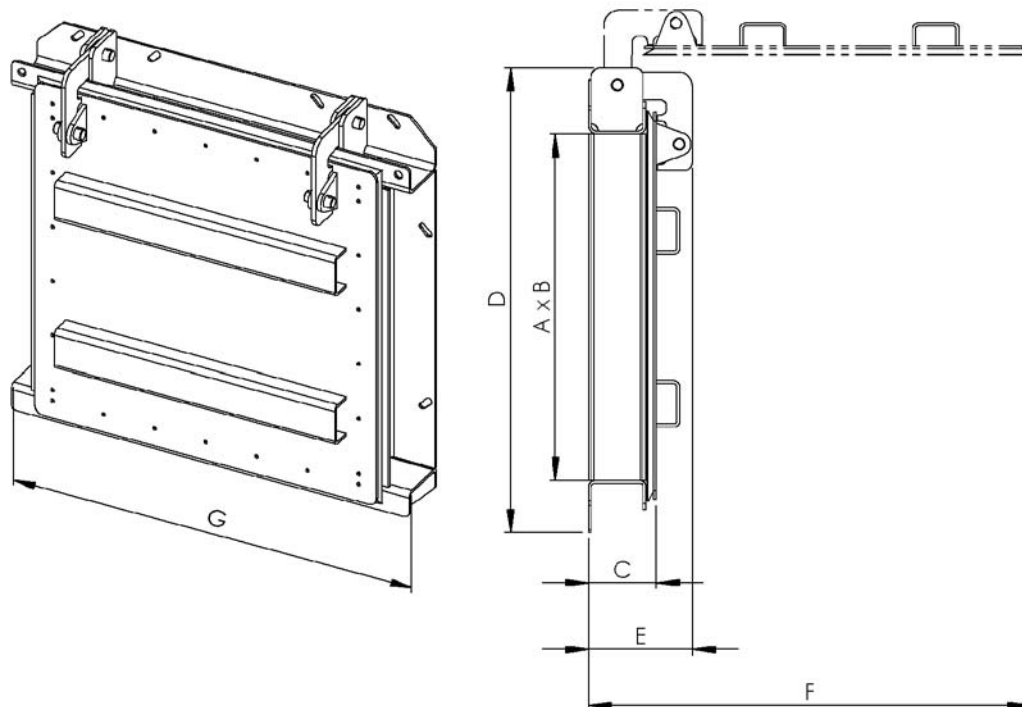
The seals are retained with stainless steel plates and fasteners. After replacing the seals, the fixing components can be reused.

WARNING!!

According to EN 13463-1 (15), during maintenance operations, use hand tools (no electric) with Work Allowance.

MODEL**RC/RR**


ORBINOX

VALVE SOLUTIONS IN MORE THAN 70 COUNTRIES
RC

A	B	C	D	E	F	G
150	150	80	304	153	310	330
200	200	80	354	153	360	380
250	250	80	404	153	410	430
300	300	80	454	153	460	480
350	350	80	504	153	510	530
400	400	100	556	183	570	580
500	500	100	658	184	670	680
600	600	100	805	184	770	780
700	700	100	905	226	870	880
800	800	100	1005	226	970	980
900	900	100	1112	226	1070	1090
1000	1000	100	1190	226	1170	1190
1100	1100	100	1325	231	1280	1300
1200	1200	100	1425	231	1380	1400
1300	1300	100	1525	231	1480	1500
1400	1400	100	1625	231	1580	1600

ORBINOX S.A. reserves the right to change specifications without notice.

OBX 04/08 1. EDICION

ORBINOX S.A. Pol. Ind. s/n - 20270 ANOETA - Tel.: +34 943 698030 - Fax: +34 943 653066 - e-mail: orbinox@orbinox.com

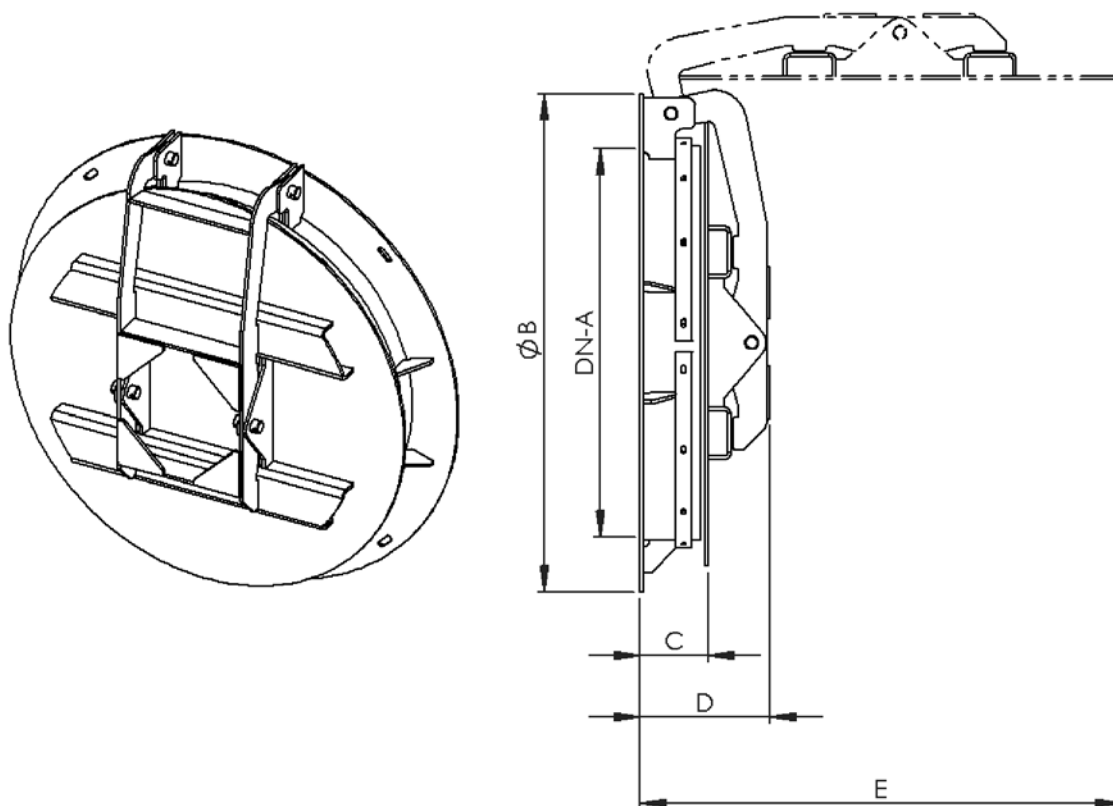
RC/RR-3

ORBINOX CANADA, ORBINOX USA, ORBINOX COMERCIAL, ORBINOX UK, ORBINOX FRANCE, ORBINOX GERMANY, ORBINOX INDIA, ORBINOX CHINA

www.orbinox.com

MODEL**RC/RR**


ORBINOX

VALVE SOLUTIONS IN MORE THAN 70 COUNTRIES
RR

A	B	C	D	E
150	285	105	158	259
200	340	105	158	324
250	395	105	158	380
300	445	105	158	430
350	505	106	158	485
400	565	106	160	536
500	670	106	161	644
600	780	106	202	748
700	895	106	202	853
800	1015	106	202	953
900	1115	106	202	1053
1000	1230	106	212	1155
1100	1320	106	212	1251
1200	1455	117	223	1355
1300	1560	123	223	1445
1400	1675	148	289	1586

ORBINOX S.A. reserves the right to change specifications without notice.

OBX 04/08 1. EDICION

ORBINOX S.A. Pol. Ind. s/n - 20270 ANOETA - Tel.: +34 943 698030 - Fax: +34 943 653066 - e-mail: orbinox@orbinox.com

RC/RR-4

ORBINOX CANADA, ORBINOX USA, ORBINOX COMERCIAL, ORBINOX UK, ORBINOX FRANCE, ORBINOX GERMANY, ORBINOX INDIA, ORBINOX CHINA

www.orbinox.com